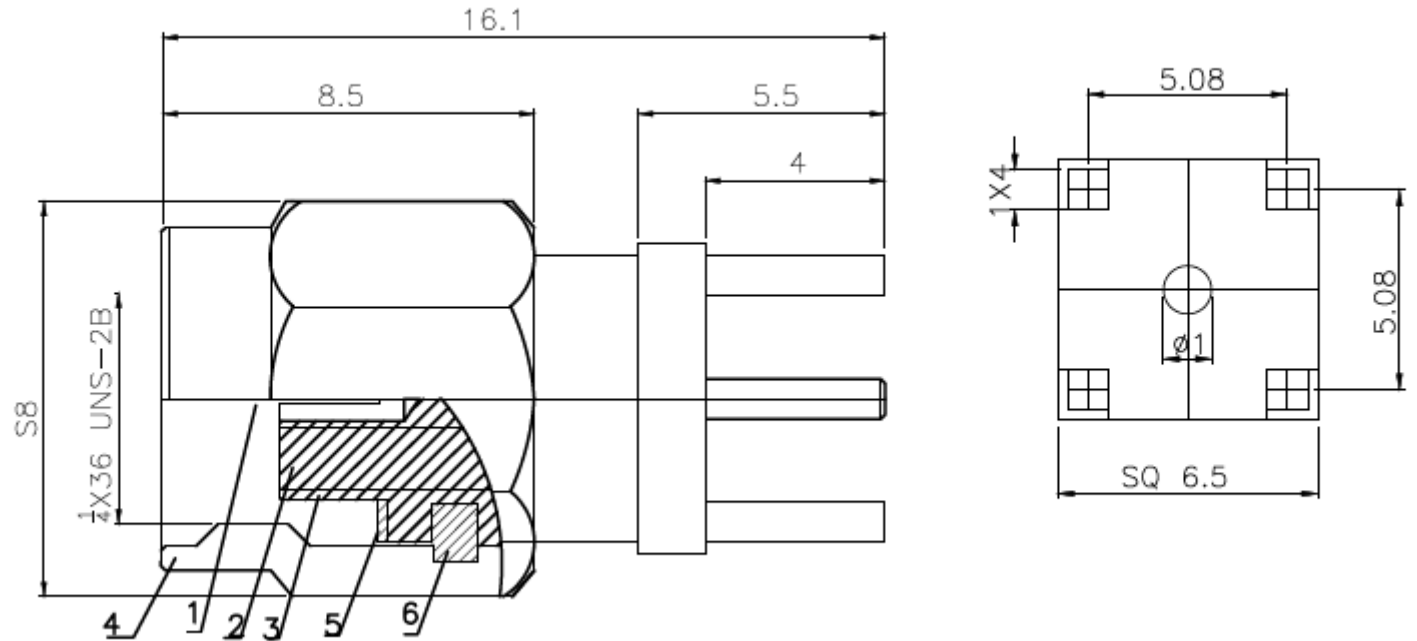




Product NO. EB-007-0814-C

REV	DESCRIPTION	DWN	DATE	APPROVEN
A	First issue	XIEFENG	2023/04/27	JIM. KING



SPECIFICATIONS:

IMPEDANCE: 50 ohms
 FREQUENCY RANGE: 0~6GHz
 VSWR: 1.50 MAX
 WORKING VOLTAGE: 500 V rms @ sea level
 INSULATION RESISTANCE: 5000 MΩ
 TEMPERATURE RANGE: -65°C TO +165°C
 Drawings products are in line with ROHS standards

No	Description	Material	Finished
1	Inner conductor	Brass	Gold-plating
2	Insulator	PTFE	
3	Housing	Brass	Gold-plating
4	Screw nut	Brass	Gold-plating
5	Seal Ring	Silicone	
6	Clasp	Phosphorus copper	Nickel-plating

-TOLERANCES- UNLESS OTHERWISE SPECIFIED	Buy From Original Factory www.elecbee.com				
			PART DESCRIPTION: RP-SMA-J Male PCB Mount		
UNLESS OTHERWISE SPECIFIED TOLERANCES FOR MILLIMETERS ARE: 0.5 - 8mm ± 0.20mm 8 - 30mm ± 0.25mm 30 - 120mm ± 0.30mm	Appd: JIM. KING		P/N: EB-007-0814-C		
	Check:	Date	Scale	Unit	Type
	Draw: XIEFENG	2023.04.27	Free	MM	Z
				Page	1/1